

30 A

500 V
U MAXI

HIGH-TEMPERATURE PLUG PNHT



240 °C



IP44



1-6 mm²
1,5-10 mm²



METAL



IK09



Self-closing lid as a
standard

OTHER FEATURES

Flexible wiring (min.-max.)	1-6 mm ²
Stranded wiring (min.-max.)	1,5-10 mm ²



METAL

SOCKET-OUTLET

female
PNHT



INLET male
PNHT



20-24 V AC	2P	092408A185	092808A185
220-250 V AC	1P+N+E	0924015185	0928015185
380-440 V AC	3P+E	0924013185	0928013185
220-250 V AC	380-440 V AC	0924017185	0928017185

BOXES		Input	Reference
METAL BOX (+ EARTHING WIRE)			
	0° (Straight)	M20	571B0M20185
	0° (Straight)	M25	571B0M25185
METAL BOX (+ EARTHING WIRE) + METAL SLEEVE			
	45°	M20	571C4M20185
	45°	M25	571C4M25185
	45°	M32	571C4M32185

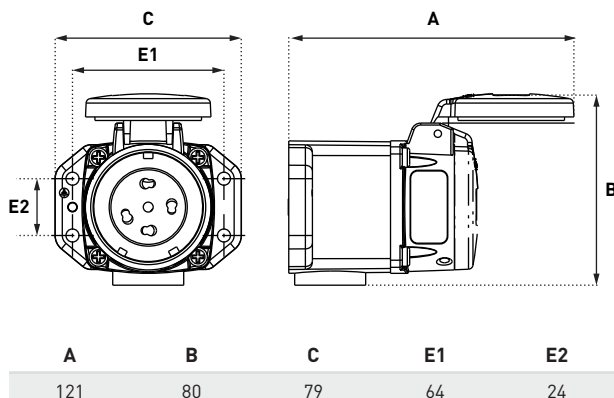
Cable glands are not delivered with the boxes.

SLEEVE		Reference
METAL SLEEVE		
	45°	571M4185

HANDLE	Input/ Cable outer Ø	Reference
METAL HANDLE WITH METAL GLAND (+ EARTHING WIRE)		
	8-13 mm	571P020M185
	12-20 mm	571P025M185
	18-28 mm	571P032M185
METAL HANDLE METRIC THREAD ENTRY (WITHOUT CABLE GLAND)		
	M25	571P0M25185
	M32	571P0M32185

DRAWINGS AND DIMENSIONS

SOCKET ON STRAIGHT WALL BOX



PLUG

